

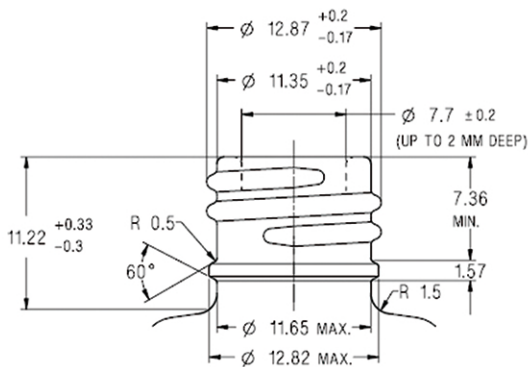
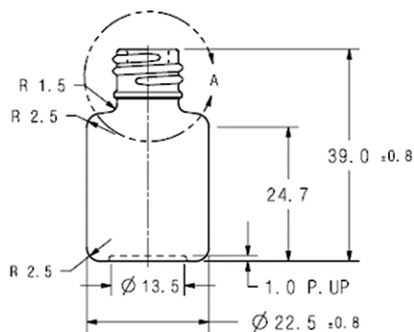
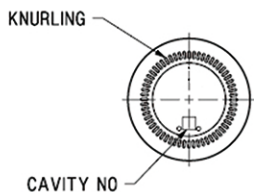
# Vidrierías Pérez Campos

START OF THDS. ----  $0.87 \begin{smallmatrix} +0.33 \\ -0.30 \end{smallmatrix}$

NO OF TURNS.----- 2

T. P. I. ----- 12

DEPRESS THREAD @ SEAMS



DETAIL A  
SCALE 5:2

FOR APPROVAL :  
CUSTOMER :  
SIGN :  
NAME :  
DATE :

WARE		AMBIENTADOR 5 ML			
ALL DIMS ARE IN MM DO NOT SCALE DRAWING		SCALE:	TYPE & COLOUR	THROUGH BORE (mm)	PROD. CATG.
DES'D BY	DATE:	OVERFLOW CAP. (ml)	FILLING CAP. (ml)	WEIGHT (g) (APPROX.)	NECK FINISH
Panchal	09/12/2004	6.7 $\pm$ 0.6	----	12.2	GCM1 13/415/405
CHK'D BY	APP'D BY	DRG.NO.:			REV. B