

1500VDC光伏4.0分支连接器2转1

1500VDC PV4.0 Branch Connector 2 In 1

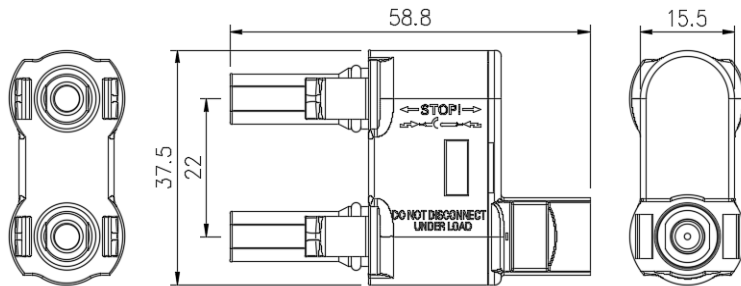
产品规格 Product Specifications

绝缘材料 Insulation material	PPE	安全等级 Safety degree	II
额定电流 Rated current	35A	阻燃等级 Flame class	UL94-V0
额定电压 Rated voltage	1500VDC	环境温度范围 Ambient temperature range	-40°C...+85°C(IEC)
测试电压 Test voltage	8kV(50Hz,1min)	适配电线规格 Suitable cable cross sections	2.5~10mm ² /14~8AWG
连接器接触电阻 Contact resistance	≤0.25mΩ	连接方式 Connecting system	--
金属导体材料 Contact material	铜,镀锡 Copper, Tin plated	温度上限 Upper limiting temperature	110°C(IEC)
保护等级 Degree of protection	IP68 (1m,1H)	额定脉冲电压 Rated Impulse voltage	16kV
过压等级 Overvoltage category/Pollution degree	CATIII/2		

图示:

Drawing:

负极
Negative

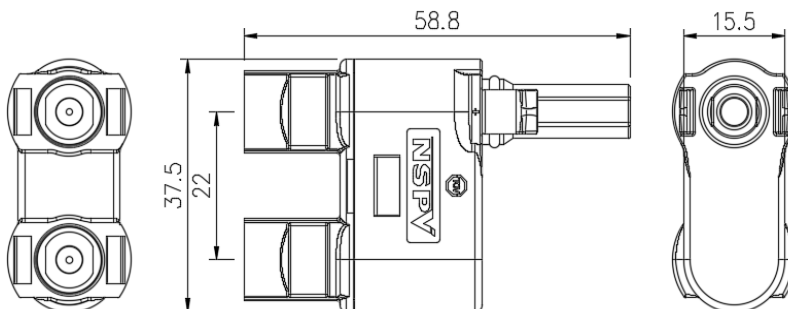


2母1公
2 Female to 1 Male

4BN-15



正极
Positive



2公1母
2 Male to 1 Female

4BP-15

