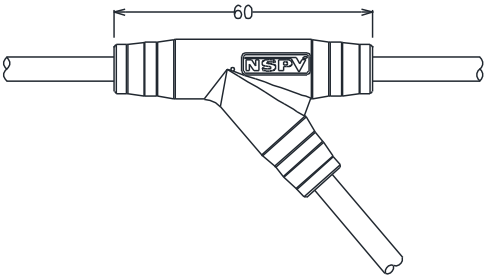
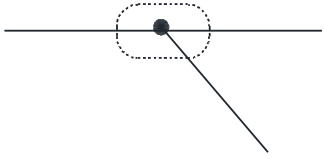
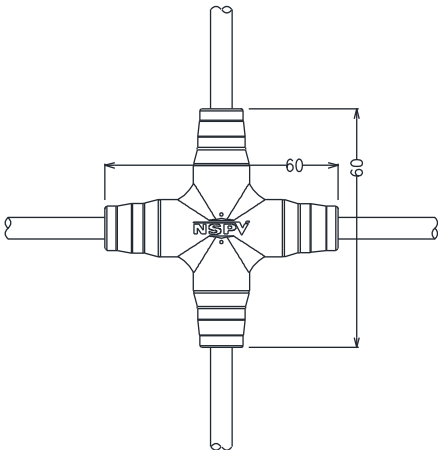
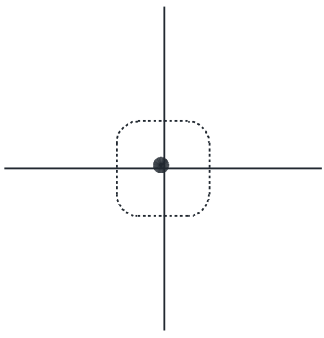


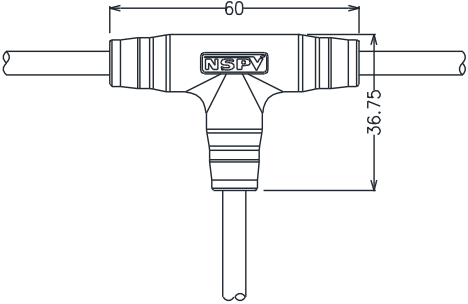
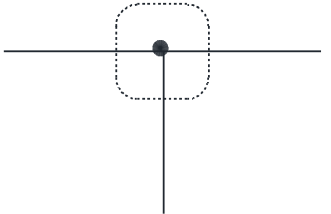
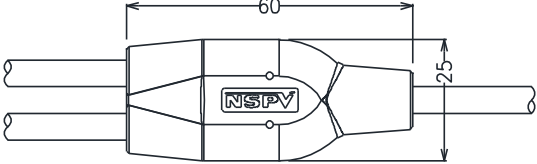
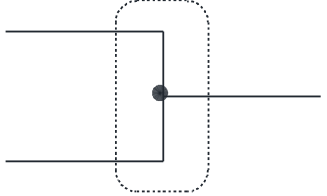
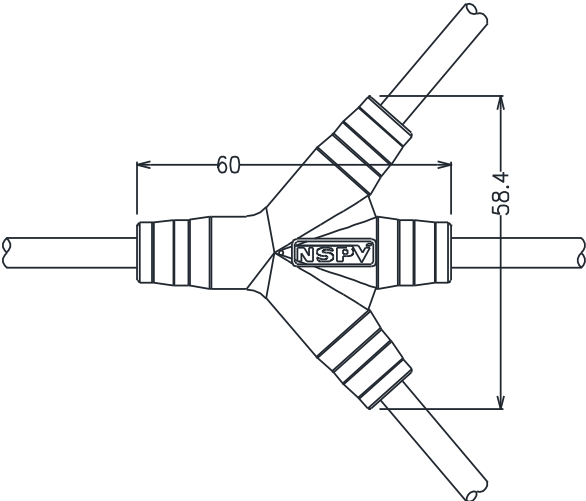
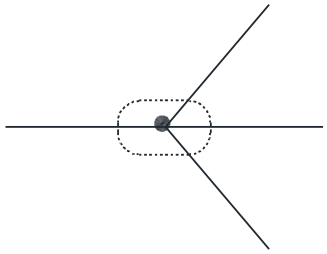
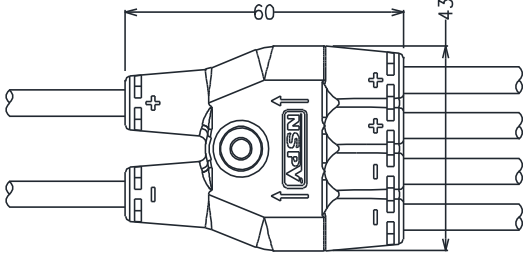
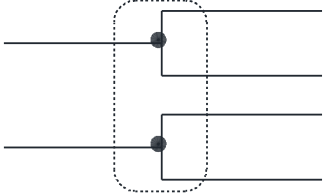
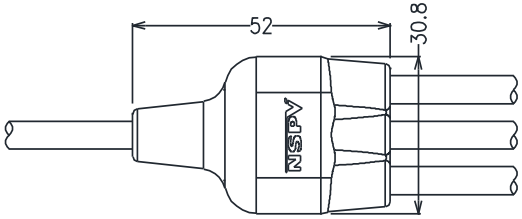
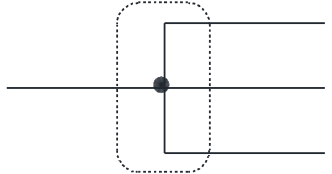
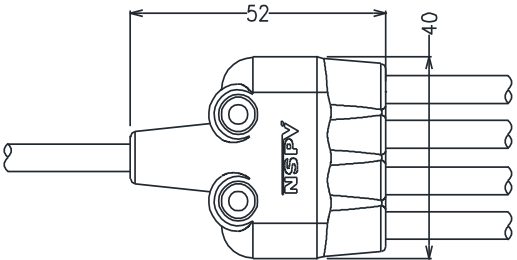
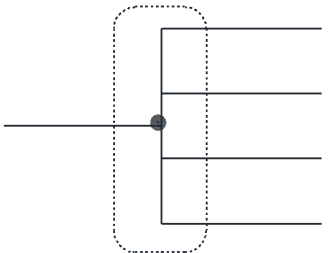
# 1500VDC光伏线束

## 1500VDC Solar Cable Assembly

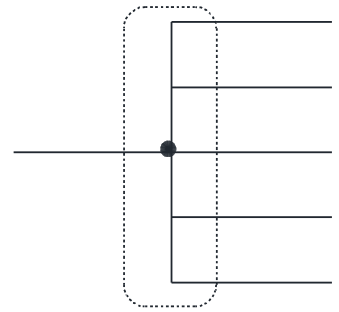
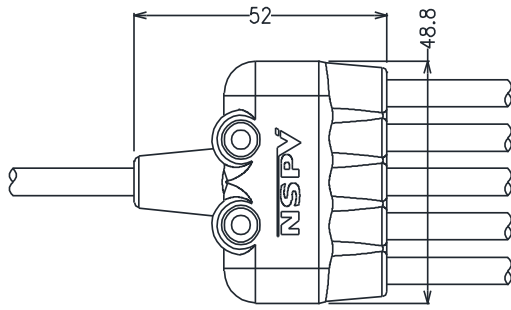
### 产品规格 Product Specifications

绝缘材料 Insulation material	PPE/TPE/PA	安全等级 Safety degree	II
额定电压 Rated voltage	1500VDC	阻燃等级 Flame class	UL94-V0
额定脉冲电压 Rated Impulse voltage	16KV	安装方式 Installation type	户外, 抗紫外线(F1) Outdoor, UV resistant(F1)
测试电压 Test voltage	8kV(50Hz, 1min)	环境温度范围 Ambient temperature range	-40°C...+85°C(IEC)
连接器接触电阻 contact resistance	≤ 0.25 mΩ	适配电线规格 Suitable cable cross sections	1.5~10mm <sup>2</sup> /16~8AWG
金属导体材料 Contact material	铜, 镀锡 Copper, Tin plated	连接方式 Connecting system	压接 Crimp connection
保护等级 Degree of protection	IP68(1m, 1H)	温度上限 Upper limiting temperature	110°C(IEC)
过压等级 Overvoltage category/Pollution degree	CATIII/2	符合标准 Regulatory approval	TUV/CE(IEC62852:2014)

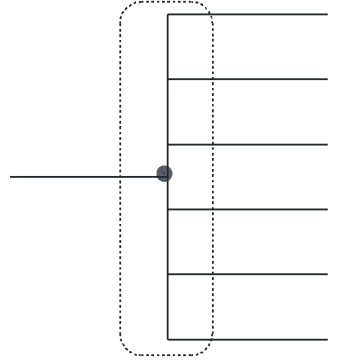
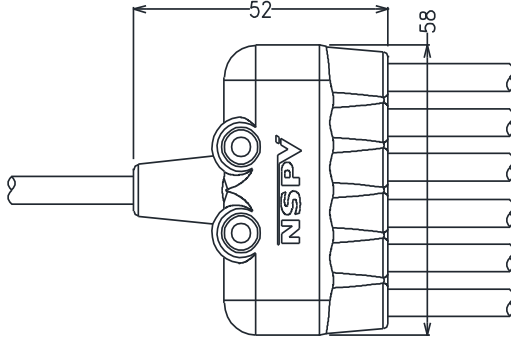
料号: Part number:	图示: Drawing:	原理图 schematic diagram
M210Y***_**		
+310T***_**		

<p>T100T***-**</p>		
<p>H210Y***-**</p>		
<p>M310Y***-**</p>		
<p>M420H***-**</p>		
<p>M310H***-**</p>		
<p>M410H***-**</p>		

M510H\*\*\*-\*\*



M610H\*\*\*-\*\*



**适配电线尺寸**  
**Suitable for cable size:**

主线 Main wire size					分支线 Branch wire size				
2.5mm <sup>2</sup>	4mm <sup>2</sup>	6mm <sup>2</sup>	10mm <sup>2</sup>	16mm <sup>2</sup>	1.5mm <sup>2</sup>	2.5mm <sup>2</sup>	4mm <sup>2</sup>	6mm <sup>2</sup>	10mm <sup>2</sup>
14AWG	12AWG	10AWG	8AWG	6AWG	16AWG	14AWG	12AWG	10AWG	8AWG