

TF COOKIE MAKING MACHINE

MACHINE FOR MAKING WIRE-CUT PRODUCTS WITH HARD DOUGH
AS BISCUITS AND COOKIES

DISPLAY

Configure all of the machine's functions in a simple and visual way. Programming recipes.

HEAD

Dosing head for dense products.

DOSING SYSTEM

Wire-cut to mould different shapes and figures.

CONVEYOR BELT

Adapted to the needs of the mould or tray where the product is dosed.



BUTTER COOKIES · ALMOND DOUGH · ASSORTED BISCUITS · HOMEMADE COOKIES · SPANISH POLVORONES · "PERRUNILLAS" · LARD SHORTBREAD



FORMEX

CREATING SOLUTIONS TO DOSE YOUR PRODUCT

GENERAL CHARACTERISTICS

- For making **wire-cut products with hard dough**. It can cut cookies with a diameter of up to 6 cm (models TF) and up to 8cm (TF-XL ask for).
- Excels in the areas of speed, precision and ease of operation.
- **Interchangeable moulds** strip allow a wide variety of shapes depending on the desired product.
- Height-adjustable table by means of an outer handwheel.
- Made of AISI304 stainless steel and materials suitable for processing food products.
- For manual or semi-automatic productions or those with a higher degree of automation, as it can be attached to a conveyor belt or production line.
- The standard machine is delivered with a mould strip with moulds of your choice.



HMI PANEL FOR INTELLIGENT PRODUCTION MANAGEMENT

Computer that allows us to control all the parameters of the machine and programme up to 80 recipes.

- Direction the belt moves.
- Movement of the belt.
- Dosing speed.
- Belt speed by.
- Product quantity.
- Number of rows per tray.
- Distance between products.
- Dosing of elongated products.
- Dosificación de productos fijos



DOSING SYSTEM

Wire cutting device with variable speed motor. For the processing of products with a wide variety of shapes and dimensions.



Wire-cut mechanism.



Mould holder for wire cutting.





EXAMPLE OF A COOKIE MACHINE TAILORED

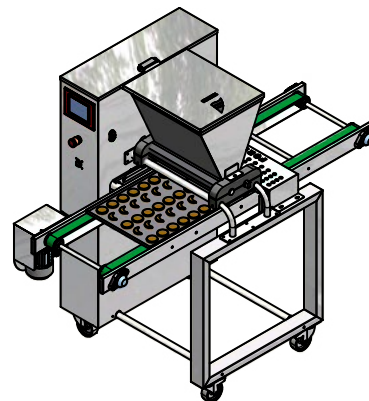
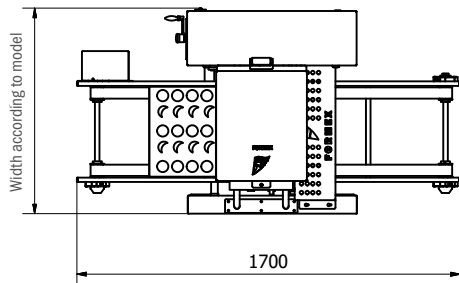
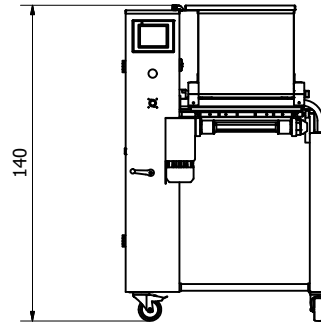
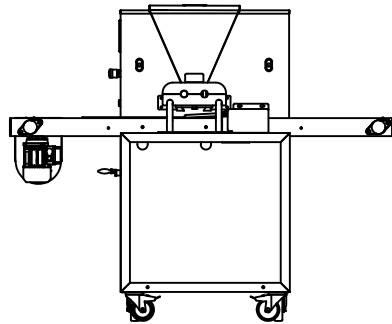


TF60 with special wire cutting system. The rollers are larger in diameter so that larger biscuits can be made (up to 80mm diameter). Being larger, the machine is mechanically and structurally reinforced. The conveyor is longer at the customer's request.



TECHNICAL DATA SHEET


MODEL	TF 40	TF 45	TF 60	TF 80
Average production (cycles/min.)	46			
Number of programmes	80			
Tray width (cm)	40	45	60	80
Hopper capacity (L)	39	44	58	76
Pieces per strip	3-8	3-8	4-10	5-12
Strip with moulds in the shape of	to choose			
Motor (kw) - 220 V Single phase.	3 motors of 0,37 / 0,18 / 0,12			3 of 0,55/0,18/0,18
Measurements W x D x H (cm)	170x97x140	170x102x140	170x117x140	200 x 137 x 140
Weight (kg)	170	185	205	245






Due to constant technological development, the characteristics of our products may be altered without prior notice.

SEE PRODUCT ON WEBSITE 

FORMEX MAQUINARIA S.A.
 Vic 32, Nave 5
 08120 La Llagosta
 BARCELONA - ESPAÑA

formex@formex.es
 Tel. +34 93 398 43 50
 +34 656800210

 www.formex.es
 Formex Maquinaria
 [formexmaquinariapasteleria](https://www.youtube.com/formexmaquinariapasteleria)

FABRICAMOS SOLUCIONES PARA DOSIFICAR TU PRODUCTO